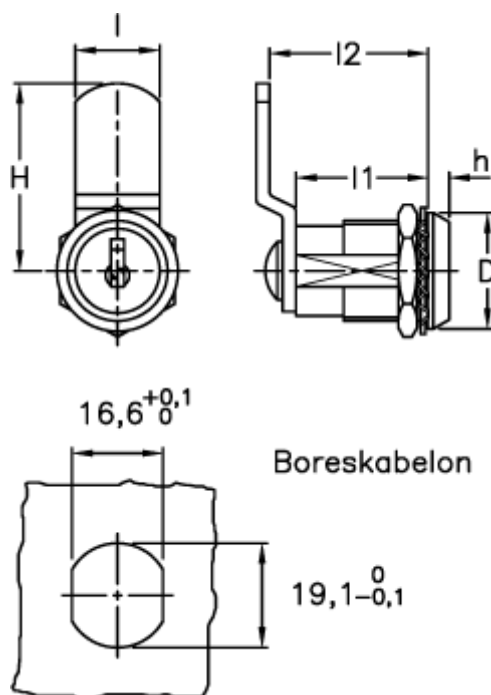


# Data Sheet



Article number: 2310421473  
Description: E+G Latch w/lock  
CSU.16/36-21

## Measures



D = 23  
H = 35.5  
h = 5  
l = 16  
l1 = 16  
l2 = 21